

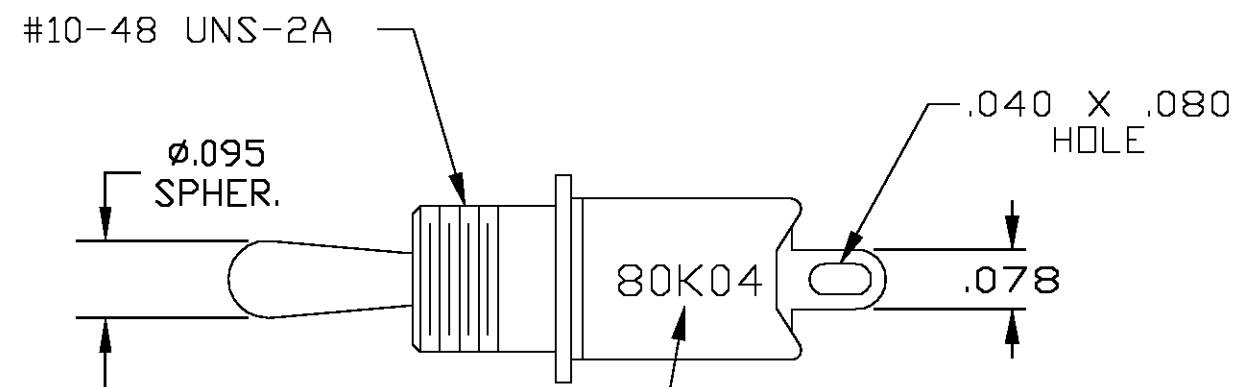
SPECIFICATIONS:

- CONTACT RATING: 0.4 VA MAX @ 20 VDC OR PEAK AC.
- INITIAL CONTACT RESISTANCE: 1,000 MEGOHMS MIN AT 500 VDC.
- DIELECTRIC STRENGTH: 1,000 VOLTS RMS AT SEA LEVEL.
- TERMINAL SEAL: EPOXY SEALED.
- HARDWARE INCLUDED: (1) HEX NUT (1) LOCK WASHER.

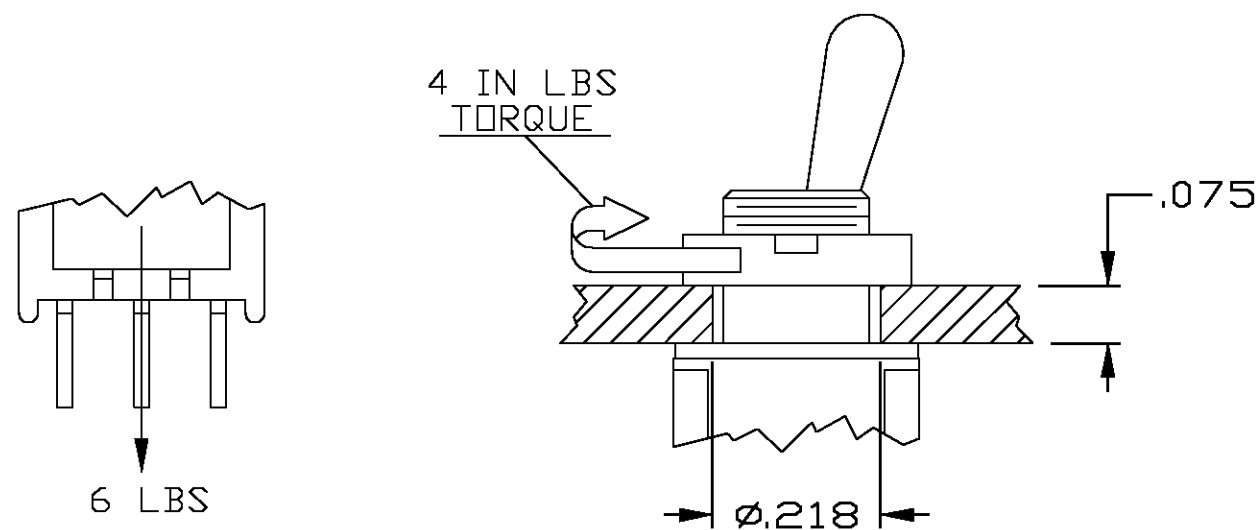
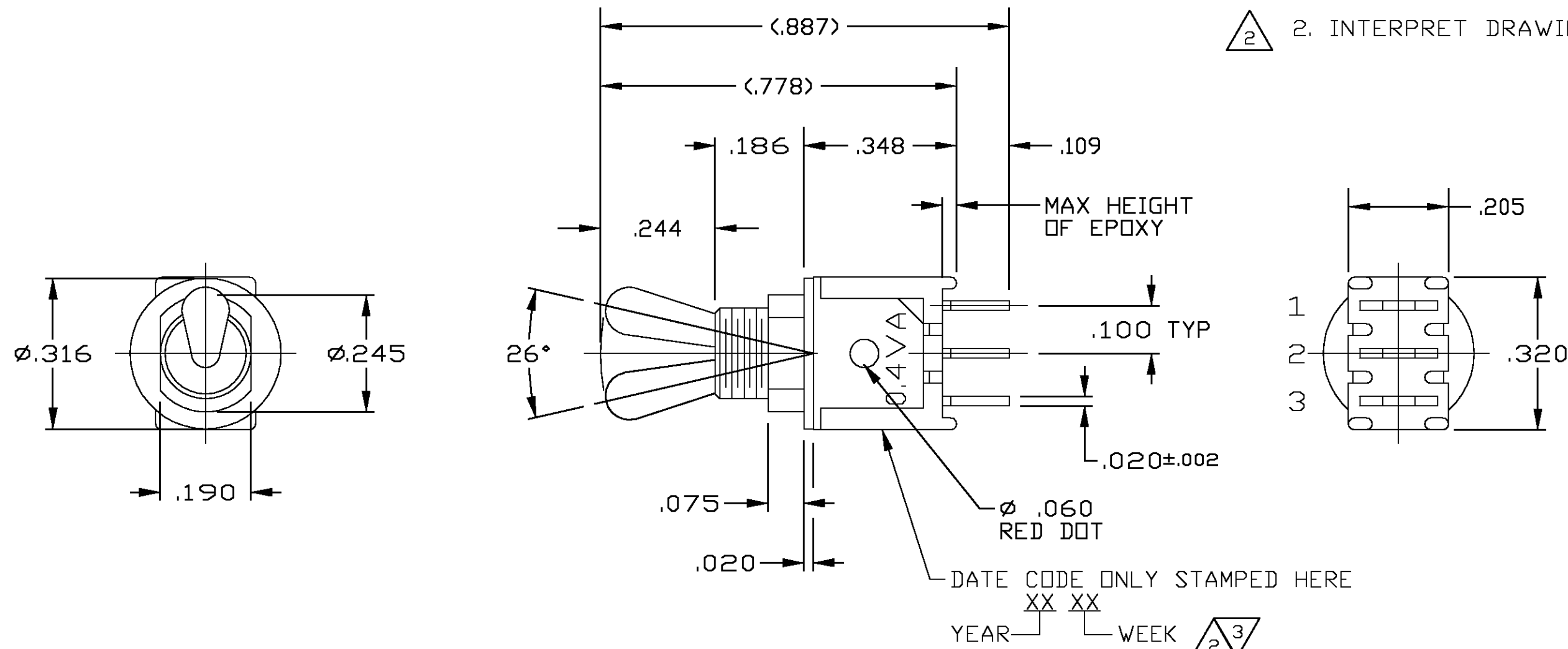
SEAL - TOGGLE TO BUSHING:  
 SEAL TEST - SEAL SHALL WITHSTAND 3 FT OF WATER FOR 30 MINUTES.  
 DYNAMIC - TEST WHEN ACTIVATED 10 TIMES PER MINUTE FOR 10,000 CYCLES SEAL SHALL WITHSTAND A 2 INCH HEAD OF WATER.

NOTES:

- CUSTOMER PART NUMBER CENTERED HERE.
- INTERPRET DRAWING PER ASME Y14.5M-1994.



SEE NOTE 1



TTE-70973	2-1	NONE	2-3
MODEL NO.			
TERMINALS CONNECTED WHEN TOGGLE IS IN THE POSITIONS AS SHOWN.			
NOTE: TERMINAL DESIGNATION NUMBERS ARE FOR REFERENCE ONLY AND DO NOT APPEAR ON SWITCH.			

AUGAT D/N TTE-70973

REV	B	REVISIONS REVISED 063C-0099-03 DATE: 10JUN03 APP'D: MZ	THIRD ANGLE PROJECTION TOLERANCES (EXCEPT AS NOTED) ANGULAR = ±2° DECIMAL .XX = ±.010 DECIMAL .XXX = ±.010 DECIMAL .XXXX = ±.010	UNLESS OTHERWISE SPECIFIED DIMENSIONS ARE IN INCHES DO NOT SCALE PRINT	ORIGINAL DATE OF DRAWING: 12-1-86	TYCO ELECTRONICS					
FILE NAME:	TTE70973			DIRECTORY:	TOGSWTCH	DRAWN:	B.L.	DATE:	12-1-86	TITLE:	TTE SPECIAL CUSTOMER: MOTOROLA
MATERIAL:	N/A			CHECKED:	PAUL SMITH	DATE:	12-1-86	DWG. NO.	1-1437563-7	REV.	B
FINISH:	N/A			APPROVED:	T. SHEK	DATE:	12-4-86	PRODUCT CODE:	A51	SCALE:	4:1
					CODE IDENT. NO.	91506	DWG. SIZE	C	SHEET 1 OF 1		
					NEXT ASSY:						